

**TIMKEN****The Timken Company**

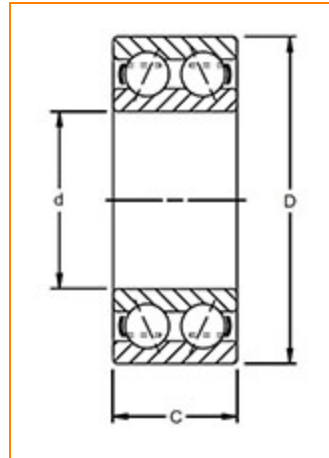
4500 Mt Pleasant St. NW

N. Canton, OH 44720

Phone: (234) 262-3000

E-Mail: [CustomerCAD@timken.com](mailto:CustomerCAD@timken.com) • Web site: [www.timken.com](http://www.timken.com)

Part Number 3205 AJ/2RS, Timken® Double Row Angular Contact Ball Bearings (3200, 3300)



[Dimensions](#) | [Specifications](#) | [Basic Load Ratings](#) | [Abutment and Fillet Dimensions](#)

### Dimensions

d - Bore	25.00 mm 0.9843 in
D - Outer Diameter	52.00 mm 2.0472 in
C - Ring Width	20.6 mm 0.8110 in
Contact Angle	30 °

### Specifications

Features	Contact Seals
Ball Type	STEEL



Cage Type	Pressed
Cage Material	Steel
Bearing Weight	0.18 Kg 0.404 lb
Design Units	METRIC

### Basic Load Ratings

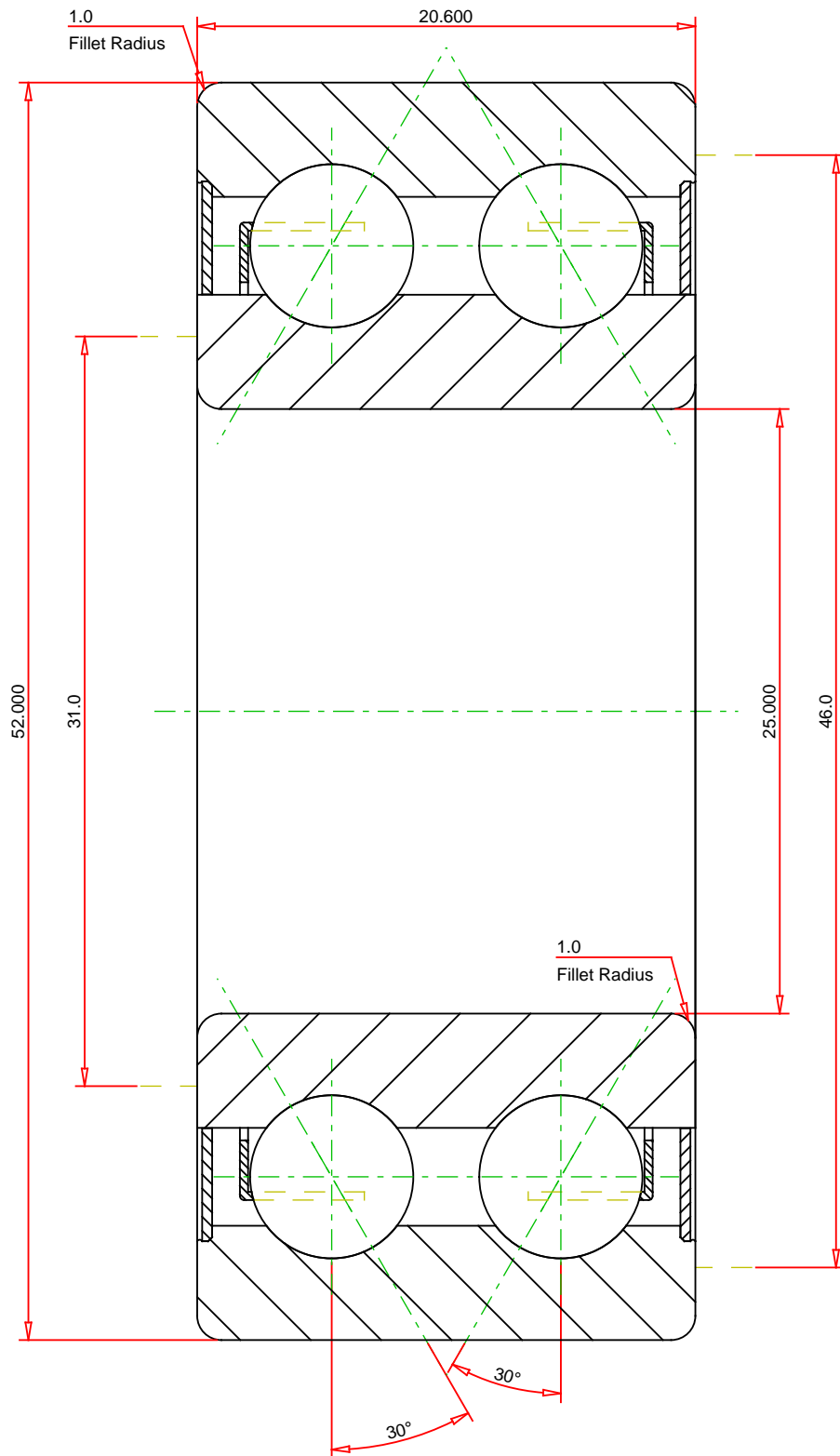
C0 - Static Radial Rating	12000 N 2697 lbf
C1 ISO - Dynamic Radial Rating	16300 N 3664 lbf

### Abutment and Fillet Dimensions

R - Inner Ring "To Clear" Radius <sup>1</sup>	1.00 mm 0.039 in
r - Outer Ring "To Clear" Radius <sup>2</sup>	1.00 mm 0.039 in
da - Inner Ring Backing Diameter	31.0 mm 1.220 in
Da - Outer Ring Backing Diameter	46.00 mm 1.8110 in

<sup>1</sup> Maximum housing fillet radius that bearing corners will clear.

<sup>2</sup> Maximum shaft fillet radius that bearing corners will clear.



**METRIC UNITS**

Number of Balls Per Row	20
Bearing Weight	0.180 kg

**TIMKEN**®

---

**THE TIMKEN COMPANY**  
NORTH CANTON, OHIO USA

<b>3205 AJ/2RS</b>	
Timken® Double Row Angular Contact Ball Bearings (3200, 3300)	
Dynamic Load Rating	16300 N
Static Load Rating	12000 N

Every reasonable effort has been made to ensure the accuracy of the information contained in this writing, but no liability is accepted for errors, omissions or for any other reason.

**FOR DISCUSSION ONLY**